



SALTDogg®

S P R E A D E R S

**A COMPLETE LINE
OF SPREADERS
FOR EVERY
APPLICATION**



Walk-behind Spreaders



WB1000B

Professional grade walk-behind spreaders are available with carbon steel or stainless steel framework. Ideal for commercial/residential use.

WB100B & WB200B

- One-piece fully-welded frame.
- Large 1.5 cu. ft. polymer hopper.
- Large 10" pneumatic tires.
- Large flow regulator offers ease of operation.
- Solid control linkage eliminates sticking and stretched cables.
- 4-flap adjustable poly deflector controls spread pattern (ideal for sidewalks, near sensitive foliage, etc.).
- Heavy-duty stainless steel gears for added strength.
- Individually boxed for retail display.

Model	Construction	Capacity	Weight
WB100B	Carbon steel	1.5 cu. ft./100 lb.	42 lbs.
WB200B	Stainless steel	1.5 cu. ft./100 lb.	42 lbs.
WB400B	Carbon and stainless steel	2.5 cu. ft./200 lb.	112 lbs.

WB400B

- 44" Wide drop spreader
- 90% Assembled
- Large 13" pneumatic tires
- Nylon bushings for smooth action
- Adjustable discharge
- Black powder-coated frame
- Plastic rain cover to protect from moisture and spillage
- Individually boxed for retail display



Tailgate Spreaders

Ideal for residential and commercial applications.

Lightweight and durable, with a 4.41 to 11 cu. ft. capacity, the SaltDogg line of Tailgate Spreaders has a model for residential or commercial applications, such as driveways, access roads and parking lots.



TGS07



Variable Speed Controller
Part No. 3011864 Standard with
 TGSUVPROA, TGS01B, TGS05B, and
 TGS06

Model	Capacity	Application
TGSUV1B	4.41 cu. ft./ 331 lbs.	Home owner/ residential user.
TGSUVPRO	4.41 cu. ft./ 331 lbs.	Ideal for residential/light commercial applications.
TGS01B	8.02 cu. ft./ 602 lbs.	Cost-effective commercial grade for large grounds.
TGS05B	10.79 cu. ft./ 809 lbs	Low profile commercial grade
TGS06	10 cu. ft./ 750 lbs	Low profile commercial grade
TGS07	11 cu. ft./ 825lbs.	Auger-driven commercial grade



TGS06

Electric Hopper Spreaders

The SaltDogg electric-drive spreaders are powered by 12-volt direct drive gear motors, and are available from 3/4 yard to 4 yard capacity. Features two 12-volt DC motors



Polymer Hopper

Model	Capacity	Vehicle
SHPE0750	0.6 cu. yd.	Utility or 1/2 Ton Pickup
SHPE1500	1.45 cu. yd.	3/4 or 1-Ton Trucks
SHPE1500X*	1.45 cu. yd.	3/4 or 1-Ton Trucks
SHPE2000	2.0 cu. yd.	3/4 or 1-Ton 8500 lbs. GVWR
SHPE2000X*	2.0 cu. yd.	3/4 or 1-Ton 8500 lbs. GVWR
SHPE3000	3.0 cu. yd.	Dump or flat bed, 13,000 lbs. GVWR
SHPE4000	4.0 cu. yd.	Dump Trucks

*X= Extended Chute

Stainless Steel Hopper

1400700SS	1.3 cu. yd.	6'	3/4 or 1-Ton Trucks
1400600SS	1.8 cu. yd.	8'	3/4 or 1-Ton Trucks

Variable Speed Controller
Part No. 3014199 For use with SHPE Series
Spreaders, and Under Tailgate Spreaders.



Gas Hopper Spreaders

For heavy-duty and commercial applications. Available in stainless steel, powder coated carbon steel or rotationally molded polymer, these slide-in hopper spreaders are powered by a 10.5 HP gas engine and conveyor feed mechanism. Available with standard or extended chute.



SPREADER KITS - Include Spreader, Inverted "V" and Top Screen

Model	Construction	Capacity	Spinner
1400200SS or 1400250SS*	Stainless steel	1.3 cu. yd.	11.5" poly
1400050 or 1400100*	Carbon steel	1.8 cu. yd.	11.5" poly
1400050SS or 1400100SS*	Stainless steel	1.8 cu. yd.	11.5" poly
1400400 or 1400450*	Molded Polymer	1.8 cu. yd.	11.5" poly
1400300SS or 1400350SS*	Stainless steel	1.8 cu. yd.	14" poly

Under Tailgate Spreaders

For heavy duty municipal and commercial applications. Under tailgate mounting allows normal use of the dump body, without interference from the spreader.



Model	Construction	Drive
92420A	Carbon steel	Hydraulic direct-drive
92420SSA	Stainless steel	Hydraulic direct-drive
92430A	Carbon steel	Hydraulic direct-drive 5:1 Gearbox
92430SSA	Stainless steel	Hydraulic direct-drive
92440SSA	Stainless steel	Electric drive
92425SSA	Stainless steel	Electric drive Side discharge



For more information on our complete line of spreaders, inclu

Replacement Tailgate

Designed to fit on DumperDogg Inserts or on 1-3 yard dump bodies. Easy to install — replacing the truck's existing tailgate. Features include dual flight augers, stainless steel construction, poly spinner and in-cab controls.



Model	Description	Weight
5535000	Replacement tailgate spreader fits all DumperDogg® inserts.	280 lbs.
9035000	Replacement tailgate with adapter fits 1-3 yard dump bodies.	420 lbs.



For more information on replacement parts and accessories, please visit www.SaltDogg.com

Municipal Hopper 3,4, 4.5 Yd

For municipal and commercial applications with an 18" polymer spinner and conveyer feed mechanism. Available with either a 10.5 HP gas engine or two independent hydraulic motors, these stainless steel spreaders are designed for dump bodies and flatbeds with a GVW chassis of 15,000 to 26,000 lbs.



1400500SSH Spreader Shown with Optional LS4 Liquid Spray System and LB8663SST Lightbar

Model	Length	Capacity	Power Source
1400475SS	8'	3.0 cu. yds.	Gas engine
1400475SSH	8'	3.0 cu. yds.	Hydraulic drive
1400500SS	9'	4.0 cu. yds.	Gas engine
1400500SSH	9'	4.0 cu. yds.	Hydraulic drive
1400550SS	10'	4.5 cu. yds.	Gas engine
1400550SSH	10'	4.5 cu. yds.	Hydraulic drive

For more information on our complete line of spreaders, inclu

Municipal Hopper 7,8,9 Yd

Stainless steel hopper spreaders for municipalities and contractors with a minimum 26,000 GVW chassis. These spreaders include two independent direct drive hydraulic motors; 20" poly spinner and conveyor feed mechanism.

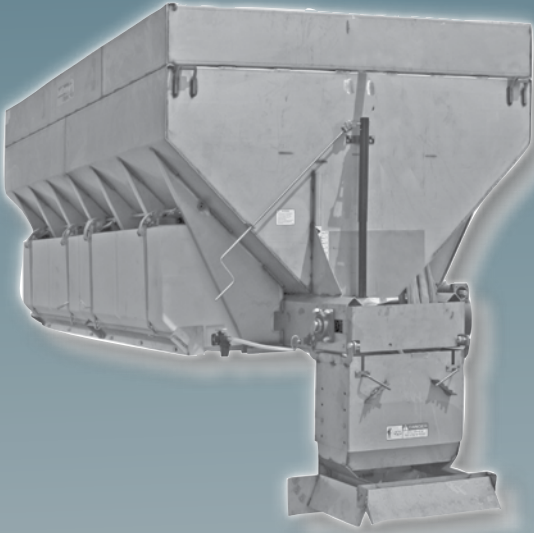
Model	Length	Capacity	Gearbox Ratio
1450757SSH	10'	7.0 cu. yds.	50:1
1425757SSH	10'	7.0 cu. yds.	25:1
1450863SSH	10'	8.3 cu. yds.	50:1
1425863SSH	10'	8.3 cu. yds.	25:1
1450969SSH	10'	9.6 cu. yds.	50:1
1425969SSH	10'	9.6 cu. yds.	25:1



**Shown with Optional
LS4 Liquid Spray System
and LB8663SST Lightbar**

Municipal Hopper 10-15 Yd

Stainless steel hopper spreaders for municipalities and contractors. Fit dump bodies and flatbeds with a minimum 26,000 GVW chassis. These spreaders include 20" polymer spinner, two independent direct drive hydraulic motors with conveyor feed mechanism.



34,000 lb. to 38,000 lb. GVW Chassis

Model	Length	Capacity	Gearbox Ratio
1451057SSH	12'	8.76 cu. yds.	50:1
1421057SSH	12'	8.76 cu. yds.	25:1
1451163SSH	12'	10.28 cu. yds.	50:1
1421163SSH	12'	10.28 cu. yds.	25:1
1451369SSH	12'	11.82 cu. yds.	50:1
1421369SSH	12'	11.82 cu. yds.	25:1

48,000 lb. to 60,000 lb. GVW Chassis

Model	Length	Capacity	Gearbox Ratio
1451257SSH	14'	10.22 cu. yds.	50:1
1421257SSH	14'	10.22 cu. yds.	25:1
1451363SSH	14'	12.0 cu. yds.	50:1
1421363SSH	14'	12.0 cu. yds.	25:1
1451469SSH	14'	13.8 cu. yds.	50:1
1421469SSH	14'	13.8 cu. yds.	25:1

Liquid Spray Systems

Liquid Spray Systems provide a more efficient distribution of salt. These systems are powered by a 12-volt electric diaphragm pump or hydraulics and feature in-cab controllers.



Model	Reservoir Size	Specifications
LS1	55 Gal	12V
LS2	N/A	12V
LS3	(2) 55 Gal	12V
LS4	105 Gal	12V
LS4H	105 Gal	Hydraulic
LS4T	105 Gal	12V, Tailgate mount
LS4TH	105 Gal	Hydraulic, Tailgate mount
LS5	(2) 105 Gal	12V
LS5H	(2) 105 Gal	Hydraulic
LS6	30 Gal	12V, SHPE1500/2000 models
LS7	30 Gal	12V, SCH models
LS8	(2) 30 Gal	12V, SCH models
6196335	335 Gal	12V, Bladder fits 6ft. beds
6198335	335 Gal	12V, Bladder fits 8ft. beds
6190000	N/A	12V, Bladder not included



6196335



In Cab Controller
Part No. WSE1
 For use with
 Liquid Spray Systems

Accessories/Replacement Parts

- LED Lights and DOT Light Bars
- Replacement Motors
- Tarp Kits
- Top Screens
- Hopper Side Extensions Kits
- Cab Controllers
- Poly Reservoirs for Liquid Spray Systems
- Tailgate Latch Kits
- Tie Down Kits
- Auger Gearboxes
- Spinner Motors
- Urethane Spinner Disks
- Electric Clutches
- 12V Vibrators
- Conveyor Chains
- Spreader Valves

*Visit SaltDogg.com
for part numbers
and more information
on our complete line
of replacement parts
and accessories.*

9031100 - Salt Box
9031105 - Salt Box
9031110 - Salt Scoop



CONTACT:



Your Authorized
SaltDogg® Distributor

SPGLIT